

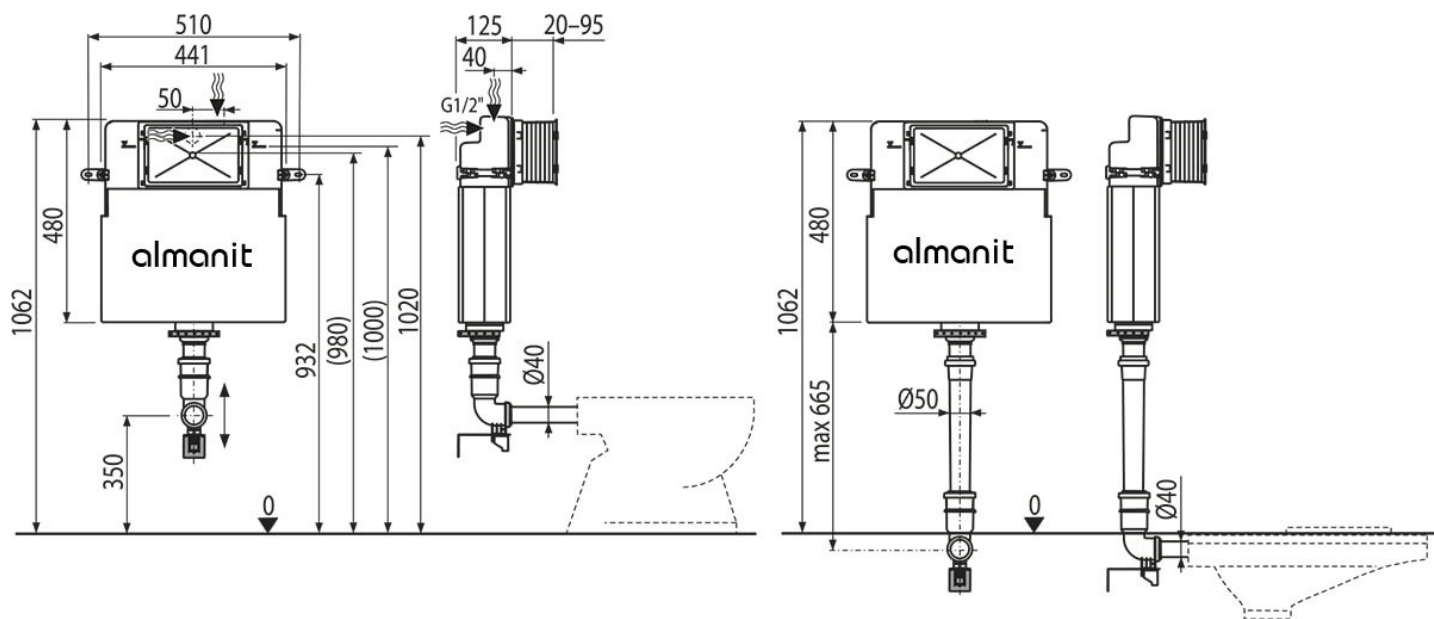


Hamburg - Germany

Art. Nr. 60502

Wall Concealed WC Cistern - Building into solid walls

- + For walling in and around – wet process
- + For installing the stand-alone WC or a WC that is firmly embedded in the floor
- + Dispenser for WC cistern tablets included
- + Angle valve with the ability to connect to the Mepla piping system
- + The construction of the polystyrene insulation simplifies the process of walling in, prevents condensation forming on the surface of the tank and dampens the vibrations from the tank into the building structure
- + Dual flush independently adjustable with hygienic reserve
- + Suitable for installation of remote or sensor flushing
- + Compatible with all „almanit“ flush plates
- + The cistern is made of one piece, thus ensuring 100% impermeability
- + Water supply from the rear/top
- + Maintenance work without using any tools
- + The service opening cover simplifies assembly and prevents the penetration of moisture and impurities
- + Material: polypropylene
- + Mounting height 1062 mm
- + Installation depth adjustable from 20–95 mm / Installation depth 125 mm



Water connection from the back or top via mounting holes	G1/2 "
Functional range of water pressure	0,05 – 1,6 MPa
Recommended range of water pressure	0,3 – 0,5 MPa
Big flush	6 – 9 l
Small flush	2,5 – 3,5 l
The default setting of large flush	6 l
The default setting of small flush	3 l
Hygienic reserve	3 l
Water volume in the cistern	9 l