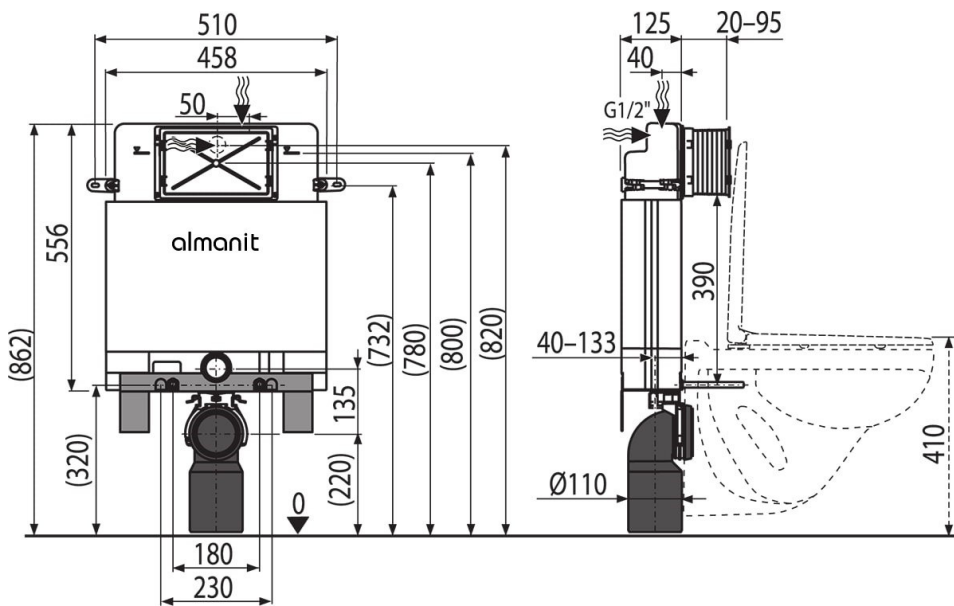




Hamburg - Germany

Art. Nr. 60504



Wall Concealed WC Cistern - Building into solid walls

- + For wall-hung WC
- + For walling in and around the bearing wall – wet process
- + For WC pans with a connecting pitch of 180 mm or 230 mm
- + Sliding rail holder for the waste connector can be set to eight positions between 0–93 mm
- + Mounting bracket ensures high rigidity wall connection
- + The construction of the polystyrene insulation simplifies the process of walling-in, prevents condensation forming on the surface of the tank and dampens the vibrations from the tank into the building structure
- + Dual flush independently adjustable with hygienic reserve
- + Compatible with all „almanit“ flush plates
- + Cistern is made of one piece, ensuring 100% impermeability
- + Water supply from the rear/top
- + Maintenance work without using any tools
- + The service opening cover simplifies assembly and prevents the penetration of moisture and impurities
- + Installation height 862 mm / Installation depth adjustable from 20–95 mm / Installation depth 125 mm
- + Necessary to wall under or use supporting feet M90
- + Material support brackets: galvanized metal

Water connection from the back or top via mounting holes	G1/2 "
Functional range of water pressure	0,05 – 1,6 MPa
Recommended range of water pressure	0,3 – 0,5 MPa
Big flush	6 – 9 l
Small flush	2,5 – 3,5 l
The default setting of large flush	6 l
The default setting of small flush	3 l
Hygienic reserve	3 l
Water volume in the cistern	9 l
Load test	400 kg