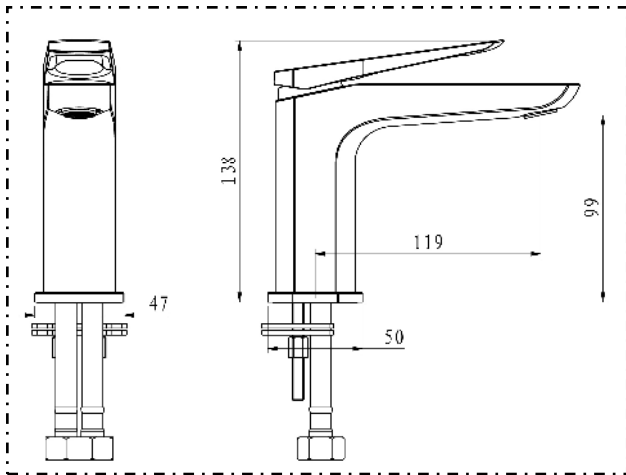


Art. Nr. 680001.ELITE



Installation and Care Instructions

* Application / Usage:

- almanit faucets are to be installed in conjunction with:
- Pressure storage water heaters
 - Instant thermal controlled water heaters
 - Hydraulic controlled water heaters
- (operation with low-pressure water heaters is not recommended)

* Technical Data:

- min. flow pressure: 0,5 bar
- recommended working pressure: 1-6 bar
- max. flow pressure : 10 bar
- flow rate at average 3 bar working pressure: abt. 12 l/min.
- max. hot water temperature: 80°C (recommended 65°C)
- inlet connections: Hot = Left and Cold = Right

* Installation Procedure:

- flush pipes thoroughly
- check outlet pressure and proof need of pressure reducer (in case water pressure > 5 bar)
- for wall mounted faucets: install wall S-connections then screw-mount faucet and wall rosettes, use extension piece in case of need.
- for sink/basin mounted faucets: screw-in connection hoses on faucet, screw-mount the faucet with the fixing set on sink/basin, connect hoses to angle valves.

* Maintenance and Repair:

- Cartridge: shut off the water supply (cold and hot !), pull off the Red/Blue cap, screw out screw, pull off lever handle, unscrew cartridge nut, detach cartridge, then clean or replace cartridge.
- Aerator: unscrew aerator (using aerator tool to avoid damage), clean and reassemble or replace.
- Connection Hoses: shut off the water supply (cold and hot !), unscrew nut from angle valve, unscrew faucet fixing set, unscrew connection hose from faucet to replace with new hose. Assemble in reverse order.

* Care Instructions:

- we recommend the use of water and neutral soap for cleaning surface, dry using a soft cloth.
- avoid lime spots by drying the faucet each time after use.
- Do not use any abrasive sponges or scouring agents for cleaning.
- Do not use cleaning agents containing solvent or acid, lime scale removers or any cleaning agents with acetic acid in them.
- Not following above instructions could leave your faucet dull and scratched.

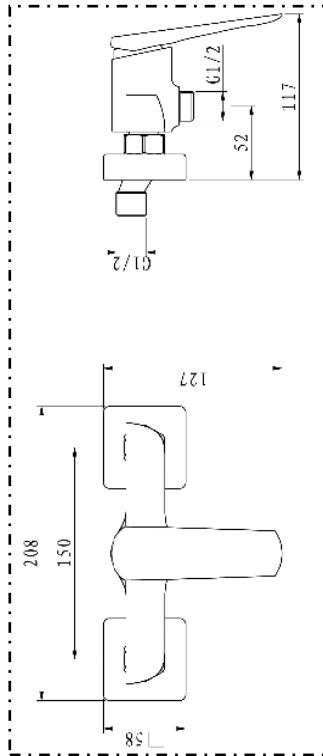


00498068000101



Art. Nr. 680012.ELITE

Hamburg - Germany



Installation and Care Instructions

* Application / Usage:

- almanit faucets are to be installed in conjunction with:
- Pressure storage water heaters
 - Instant thermal controlled water heaters
 - Hydraulic controlled water heaters
- (operation with low-pressure water heaters is not recommended)

* Technical Data:

- min. flow pressure: 0,5 bar
- recommended working pressure: 1-6 bar
- max. flow pressure : 10 bar
- flow rate at average 3 bar working pressure: abt. 18 l/min.
- max. hot water temperature: 80°C (recommended 65°C)
- inlet connections: Hot = Left and Cold = Right

* Installation Procedure:

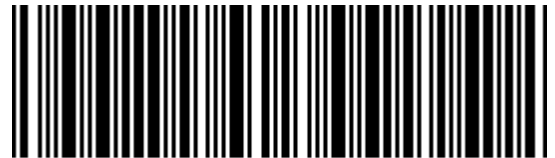
- flush pipes thoroughly
- check outlet pressure and proof need of pressure reducer (in case water pressure > 5 bar)
- for wall mounted faucets: install wall S-connections then screw-mount faucet and wall rosettes, use extension piece in case of need.
- for sink/basin mounted faucets: screw-in connection hoses on faucet, screw-mount the faucet with the fixing set on sink/basin, connect hoses to angle valves.

* Maintenance and Repair:

- Cartridge: shut off the water supply (cold and hot !), pull off the Red/Blue cap, screw out screw, pull off lever handle, unscrew cartridge nut, detach cartridge, then clean or replace cartridge.
- Aerator: unscrew aerator (using aerator tool to avoid damage), clean and reassemble or replace.
- Connection Hoses: shut off the water supply (cold and hot !), unscrew nut from angle valve, unscrew faucet fixing set, unscrew connection hose from faucet to replace with new hose. Assemble in reverse order.

* Care Instructions:

- we recommend the use of water and neutral soap for cleaning surface, dry using a soft cloth.
- avoid lime spots by drying the faucet each time after use.
- Do not use any abrasive sponges or scouring agents for cleaning.
- Do not use cleaning agents containing solvent or acid, lime scale removers or any cleaning agents with acetic acid in them.
- Not following above instructions could leave your faucet dull and scratched.

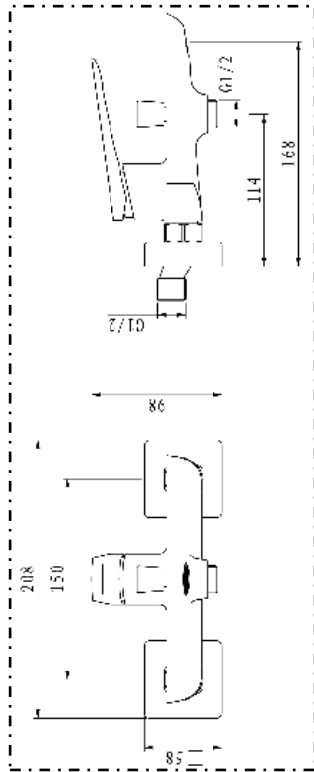


00498068001201



Art. Nr. 680021.ELITE

Hamburg - Germany



Installation and Care Instructions

* Application / Usage:

almanit faucets are to be installed in conjunction with:

- Pressure storage water heaters
- Instant thermal controlled water heaters
- Hydraulic controlled water heaters

(operation with low-pressure water heaters is not recommended)

* Technical Data:

- min. flow pressure: 0,5 bar
- recommended working pressure: 1-6 bar
- max. flow pressure : 10 bar
- flow rate at average 3 bar working pressure: abt. 20 l/min.
- max. hot water temperature: 80°C (recommended 65°C)
- inlet connections: Hot = Left and Cold = Right

* Installation Procedure:

- flush pipes thoroughly
- check outlet pressure and proof need of pressure reducer (in case water pressure > 5 bar)
- for wall mounted faucets: install wall S-connections then screw-mount faucet and wall rosettes, use extension piece in case of need.
- for sink/basin mounted faucets: screw-in connection hoses on faucet, screw-mount the faucet with the fixing set on sink/basin, connect hoses to angle valves.

* Maintenance and Repair:

- Cartridge: shut off the water supply (cold and hot !), pull off the Red/Blue cap, screw out screw, pull off lever handle, unscrew cartridge nut, detach cartridge, then clean or replace cartridge.
- Aerator: unscrew aerator (using aerator tool to avoid damage), clean and reassemble or replace.
- Connection Hoses: shut off the water supply (cold and hot !), unscrew nut from angle valve, unscrew faucet fixing set, unscrew connection hose from faucet to replace with new hose. Assemble in reverse order.

* Care Instructions:

- we recommend the use of water and neutral soap for cleaning surface, dry using a soft cloth.
- avoid lime spots by drying the faucet each time after use.
- Do not use any abrasive sponges or scouring agents for cleaning.
- Do not use cleaning agents containing solvent or acid, lime scale removers or any cleaning agents with acetic acid in them.
- Not following above instructions could leave your faucet dull and scratched.

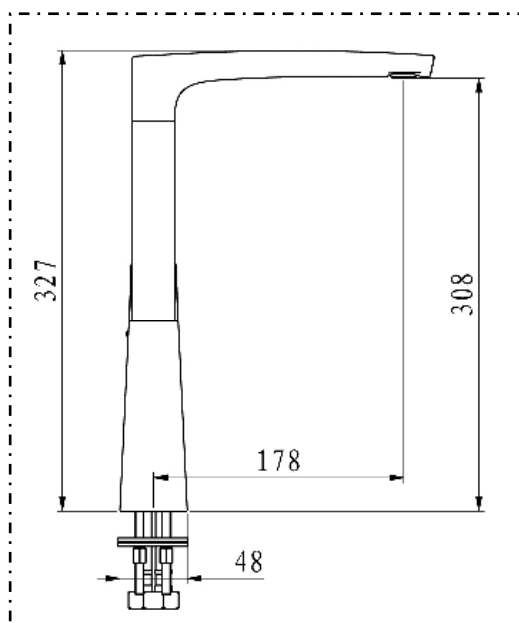


00498068002101



Hamburg - Germany

Art. Nr. 680032.ELITE



Installation and Care Instructions

* Application / Usage:

almanit faucets are to be installed in conjunction with:

- Pressure storage water heaters
- Instant thermal controlled water heaters
- Hydraulic controlled water heaters

(operation with low-pressure water heaters is not recommended)

* Technical Data:

- min. flow pressure: 0,5 bar
- recommended working pressure: 1-6 bar
- max. flow pressure : 10 bar
- flow rate at average 3 bar working pressure: abt. 12 l/min.
- max. hot water temperature: 80°C (recommended 65°C)
- inlet connections: Hot = Left and Cold = Right

* Installation Procedure:

- flush pipes thoroughly
- check outlet pressure and proof need of pressure reducer (in case water pressure > 5 bar)
- for wall mounted faucets: install wall S-connections then screw-mount faucet and wall rosettes, use extension piece in case of need.
- for sink/basin mounted faucets: screw-in connection hoses on faucet, screw-mount the faucet with the fixing set on sink/basin, connect hoses to angle valves.

* Maintenance and Repair:

- Cartridge: shut off the water supply (cold and hot !), pull off the Red/Blue cap, screw out screw, pull off lever handle, unscrew cartridge nut, detach cartridge, then clean or replace cartridge.
- Aerator: unscrew aerator (using aerator tool to avoid damage), clean and reassemble or replace.
- Connection Hoses: shut off the water supply (cold and hot !), unscrew nut from angle valve, unscrew faucet fixing set, unscrew connection hose from faucet to replace with new hose. Assemble in reverse order.

* Care Instructions:

- we recommend the use of water and neutral soap for cleaning surface, dry using a soft cloth.
- avoid lime spots by drying the faucet each time after use.
- Do not use any abrasive sponges or scouring agents for cleaning.
- Do not use cleaning agents containing solvent or acid, lime scale removers or any cleaning agents with acetic acid in them.
- Not following above instructions could leave your faucet dull and scratched.



00498068003201