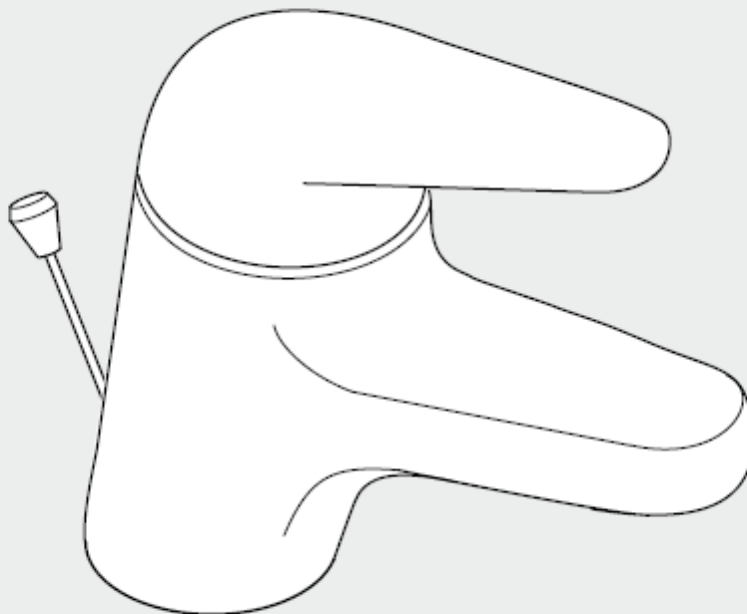


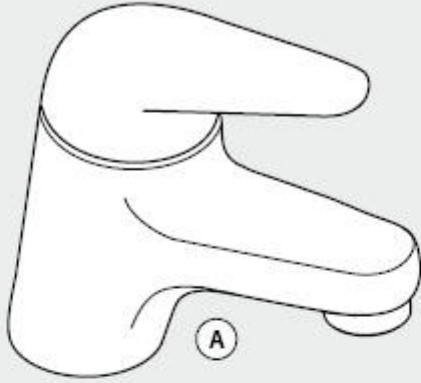
One Lever Basin Faucets Installation Tips

PLEASE NOTE THE FOLLOWING POINTS BEFORE MOUNTING:

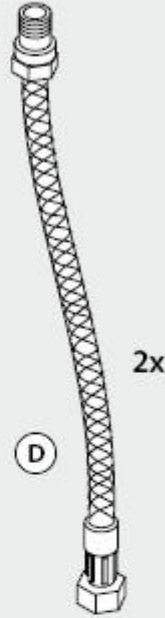
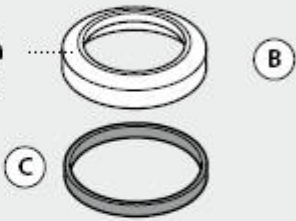
- CAUTION WATER DAMAGE POSSIBLE! Please turn off the general water supply before mounting.
- Make sure that all gaskets are correctly seated.
- Fitting for use in private households! Exclusively suitable for use in rooms with a temperature above 0 °C, in case of danger of frost interrupt the water supply and drain the valve.
- Before first use and if the valve has not been used for a long time, allow a go through of a larger amount of water before using as drinking water.
- Use pliers only when tightening the S-connectors.



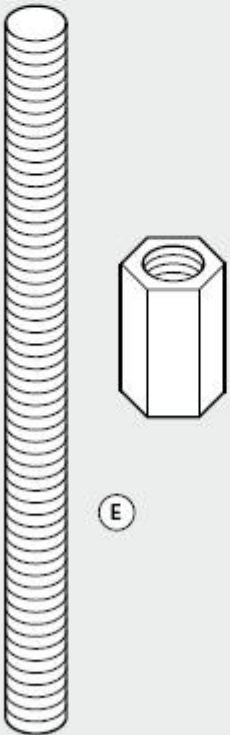
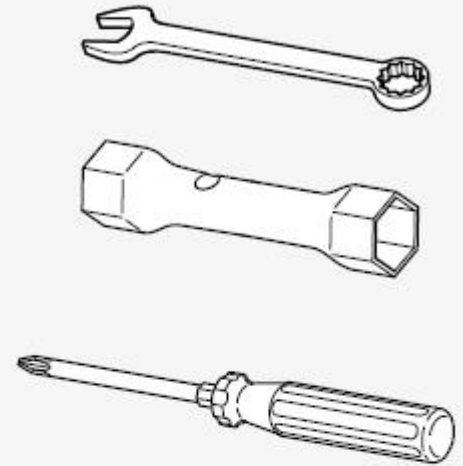
Contents



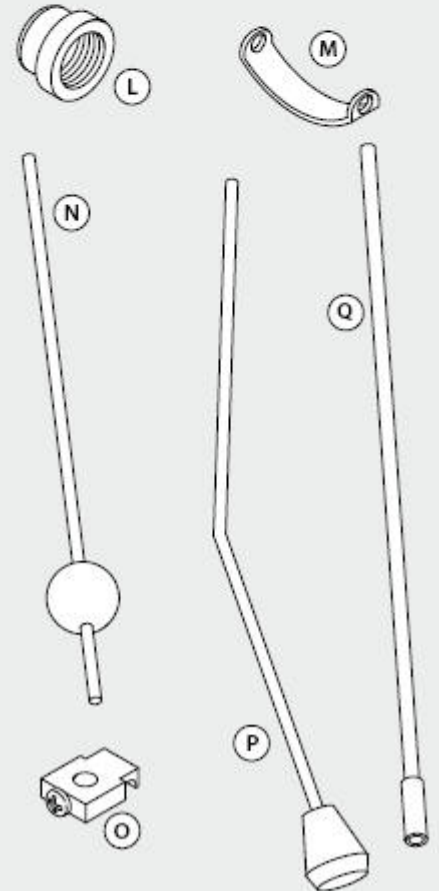
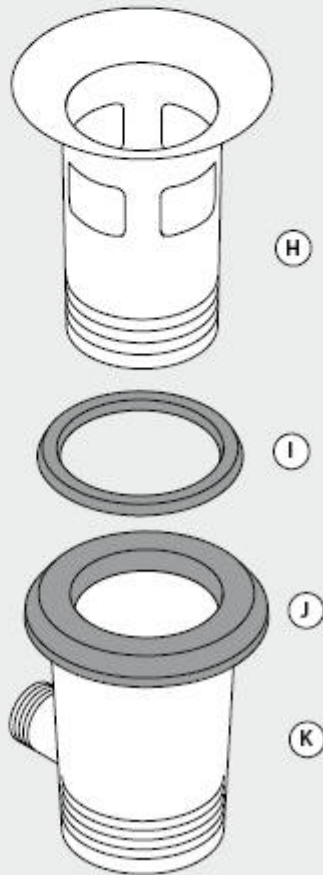
Je nach Modell



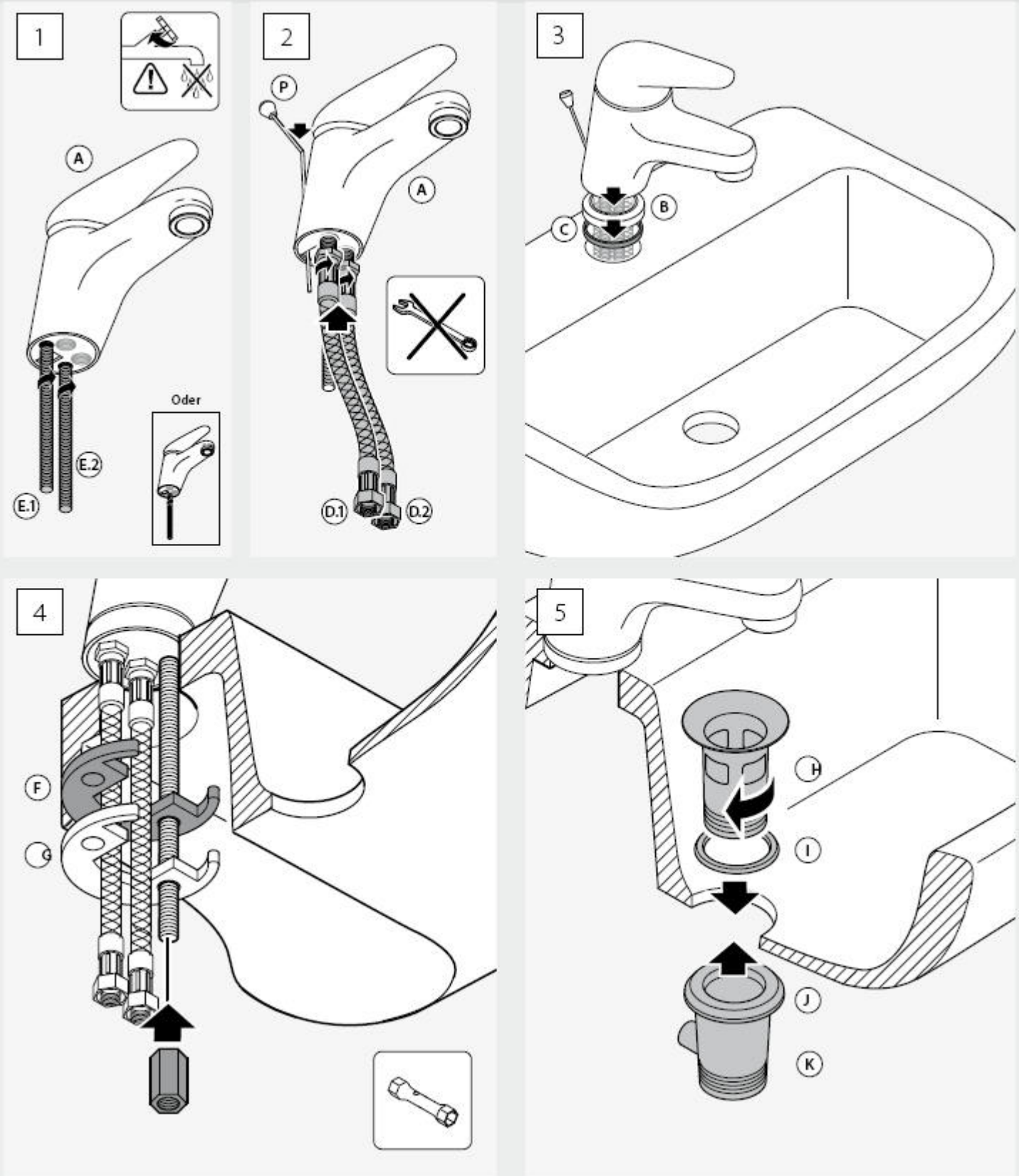
Tools

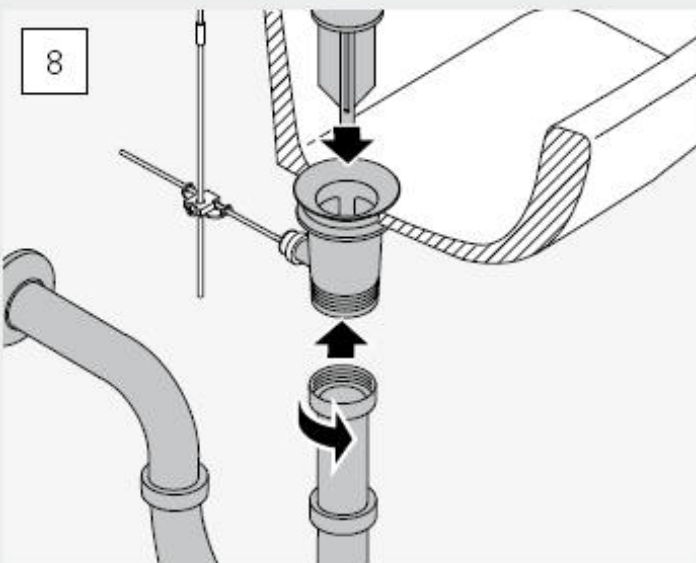
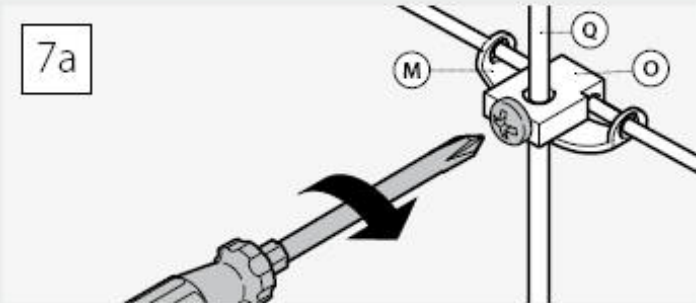
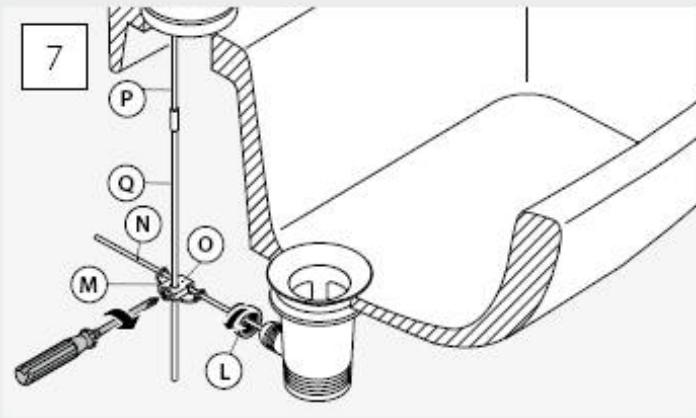
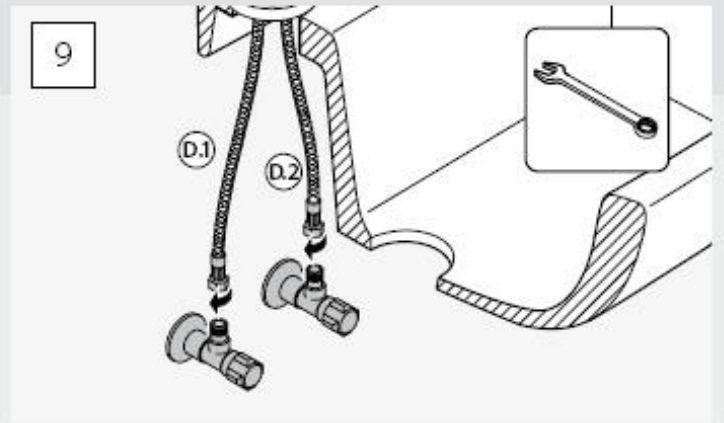
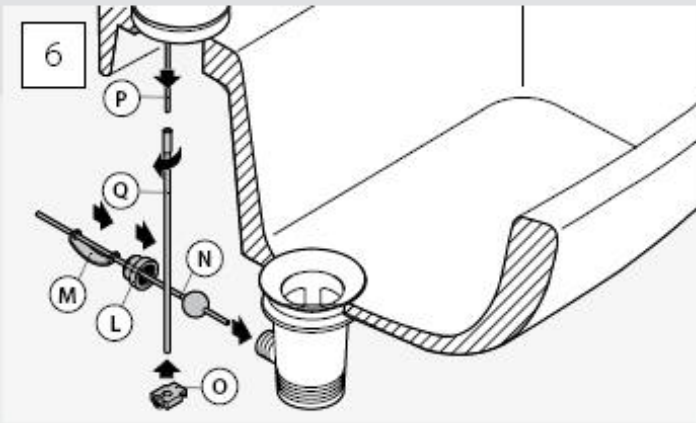


as per model
 1x OR 2x



Mounting





Care Instructions:

- This item is sensitive to limescale removal substances, acidic cleaners and all kinds of Abrasives. Do not use aggressive, chemical or solvent-based cleaning agents or abrasive powder and sponges.
- unscrew the aerator at regular intervals, clean from limescale and/or foreign bodies. Replace the aerator in case of need.
- Dry faucet after use/cleaning to avoid limescale spots.

Troubleshooting:

- **IT CRACKS IN THE PIPING LINE WHEN CLOSING THE FAUCET– WHY?**
Normally this is not because of the faucet it self. The reason might be in the main piping network. In certain circumstances, the line pressure might be too high. A pressure reducer can help.
- **MY FAUCET BECOMES DIFFICULT TO HANDLE. WHY IS IT? WHAT TO DO?**
Over the course of time, limescale can cause a binding within the cartridge. The faucet should be disassemble, cleaned and after greasing reassembled.
- **HOW TO CHANGE THE FAUCET CARTRIDGE?**
- APPLIES ONLY FOR SINGLE LEVER FAUCETS -
First, close the angle valves. With help of an Allen key / screwdriver detach the lever handle (either at the front side under the warm / cold Identification or on the back side of the faucet lever). Then take off the rosette, loosen the Fixing nut of the cartridge and put a new Cartridge. The cams of the cartridge need snap into the holes of the faucet. Put the valve in reverse Order together.
- **HOW TO CHANGE THE COMPRESSION UPPER PART?**
- APPLIES ONLY FOR 2-HANDLE FAUCETS -
First, close the angle valves. Dismantle the handle, then replace upper part.
- **THE FAUCET HANDLE IS LOOSE. WHAT CAN I DO?**
Using a screwdriver / Allen key, the mounting screw can be tighten.
- **HOW DO I REMOVE LIME RESIDUES?**
Clean product only with a soft, damp cloth or leather. Remove possible limescale deposits with household vinegar.
- **HOW DO I CLEAN THE PERLATOR?**
Unscrew the aerator and sunk for several hours (overnight) in a glass of vinegar. After that, good Rinse and fix back.