

Art. 503108

Electronic sink with swimming spout

Characteristic:

Standard flow at 3 bar: 40 L/min.
Flow rate with adjuster: 6 L/min, 5 L/min, 8 L/min
Pressure: (0.5– 6) bar
Temperature: Max 80°
Standard closing time: 6"

Material:

- * Body in chromed brass plated brass conform to EN 1982, EN 12164, EN 12165 standards
- * Spout in chromed brass plated brass conform to EN 1982, EN 12164, EN 12165 standards
- * Base Ø53 in chromed brass plated brass conform to EN 1982, EN 12164, EN 12165 standards
- * Cap in brass plated brass conform to EN 1982, EN 12164, EN 12165 standards
- * Lever in chromed brass plated brass conform to EN 1982, EN 12164, EN 12165 standards

Reference standard:

EN 816:2017

Features:

- * Timing in conformity with EN 816
- * Treatment of the nickel-chrome surface conformity with EN 248 standard
- * Resistance to saline aggression 200h conformity to EN ISO 9227 standard

Accessories / components supplied:

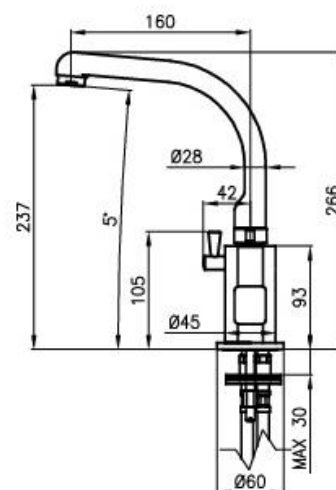
Filter gasket
Sensor
Battery holder kit
Stainless Steel Flexible
Fixing kit
Reduction connection

Options:

Antivandal
Nichel FREE

Notes :

- * Use a filter upstream of the system
- * Cleaning only with water and soft cloth avoiding acids and abrasives
- * You can buy alkaline or lithium batteries



Hamburg - Germany